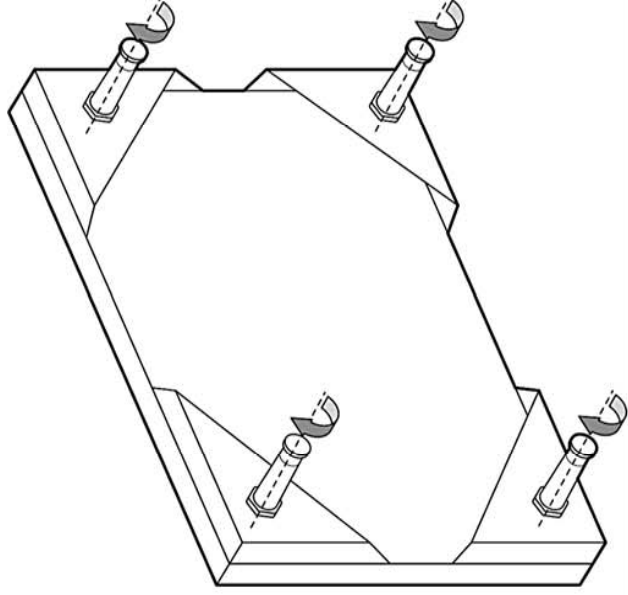


INSTRUCTIONS FOR INSTALLATION

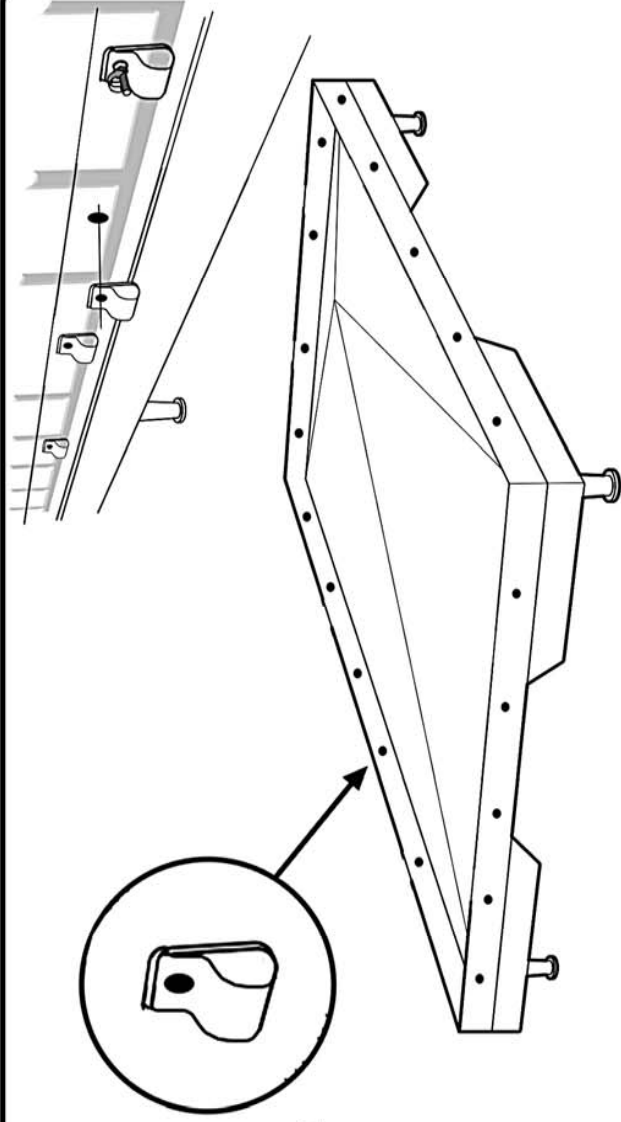
STEP 1

Install legs or options wheel casters to underside of floor pan.



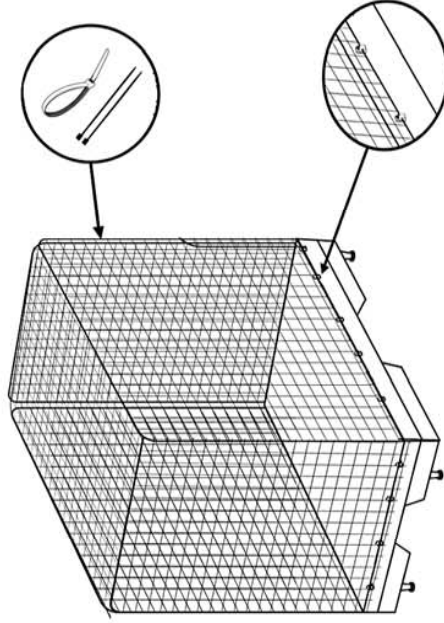
STEP 2

Attach Welded Wire to Floor pan with clamps and bolts



STEP 3

Zip Tie Welded Wire roof and corners together



Welded Wire Clamps shown